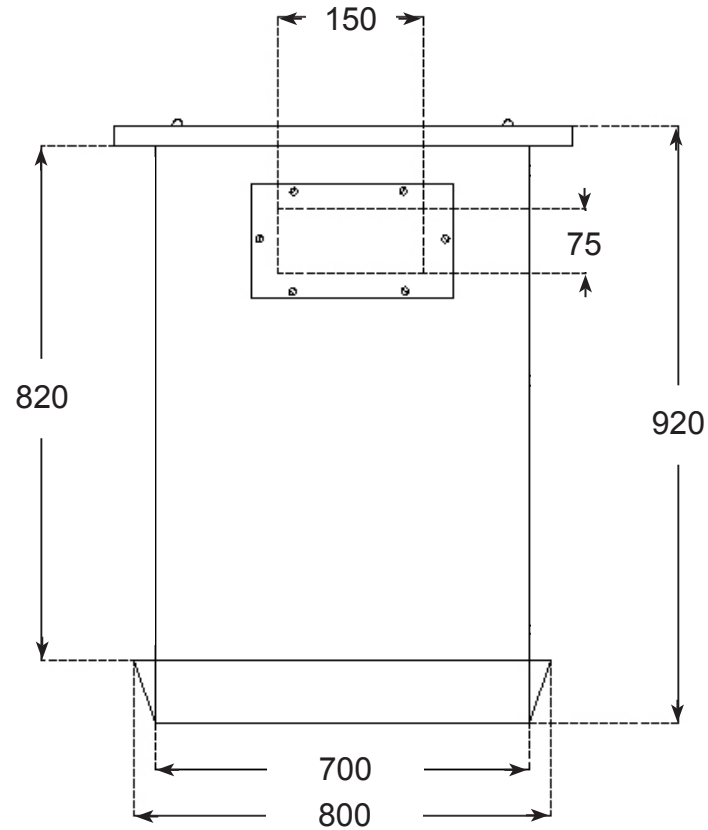
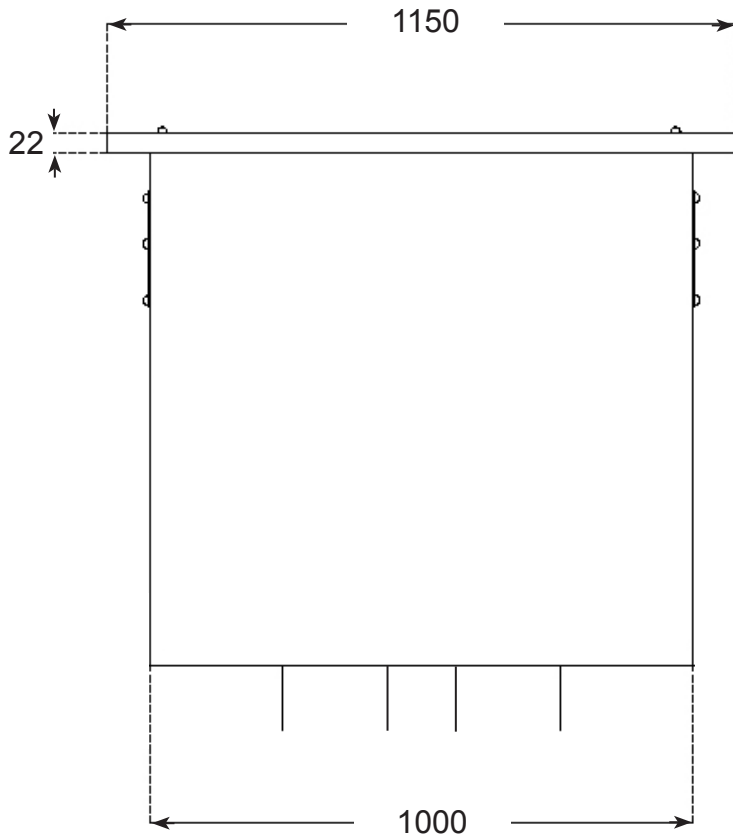




# LOUTH TRANSFORMER COMPANY LIMITED



## TK7 FLOOR CASE

**SUITABLE FOR OUTDOOR  
MOUNTING**

Floor Mounting TK7 Transformer Case

Dark Grey Pure Polyester Paint. RAL 7021  
Fully Seam Welded  
IP65.

All Dimensions in Millimetres  
Max Internal Dimensions.

LENGTH = 650  
WIDTH = 950  
HEIGHT = 800

WEIGHT = 65kg (Case Only)

CASE PAINT PROCESS

- 1) Degrease.
- 2) Iron Phosphate Pre-Treatment.
- 3) Single Coat Pure Polyester Paint.

Laboratory Tested 600 Hours Hot Salt Spray.

METHOD

- 1) Chip an area of paint away 15mm in diameter.
- 2) Subject the area to 600 hours hot salt spray.
- 3) The area under test will of course rust, but there must be no creepage under the paint.

© 2014 Louth Transformer Company Limited. Reproduction in part or whole of this document without prior consent is prohibited.

**LOUTH TRANSFORMER COMPANY LIMITED**  
Belvoir Way, Fairfield Industrial Estate  
Louth, Lincolnshire, LN11 0LQ, ENGLAND

TEL: 01507 606436

FAX: 01507 600168

Title	TK7 Case	Sheet
Date	13 NOV 2014	<b>01</b>
DRG. No.	TK7	