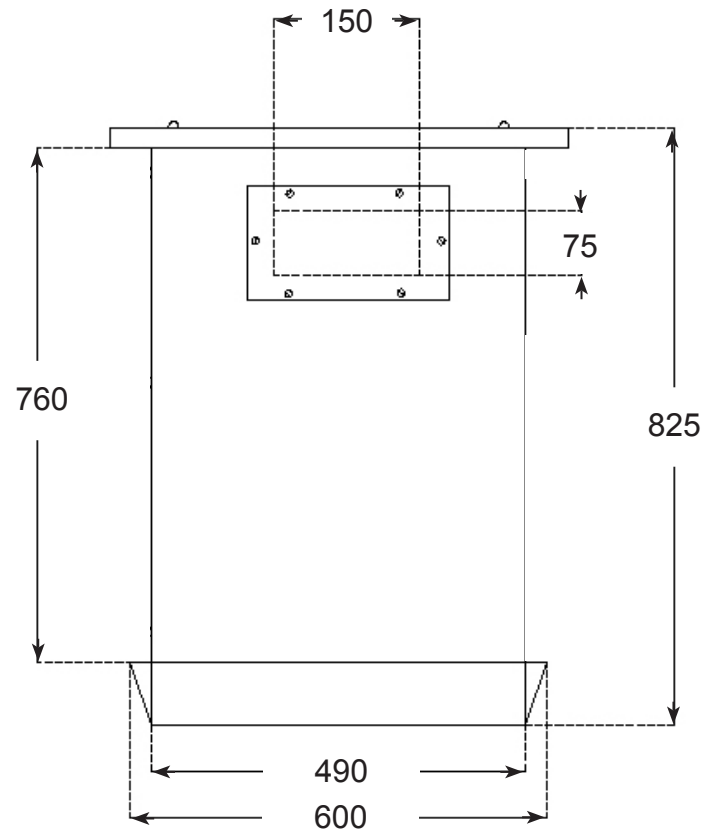
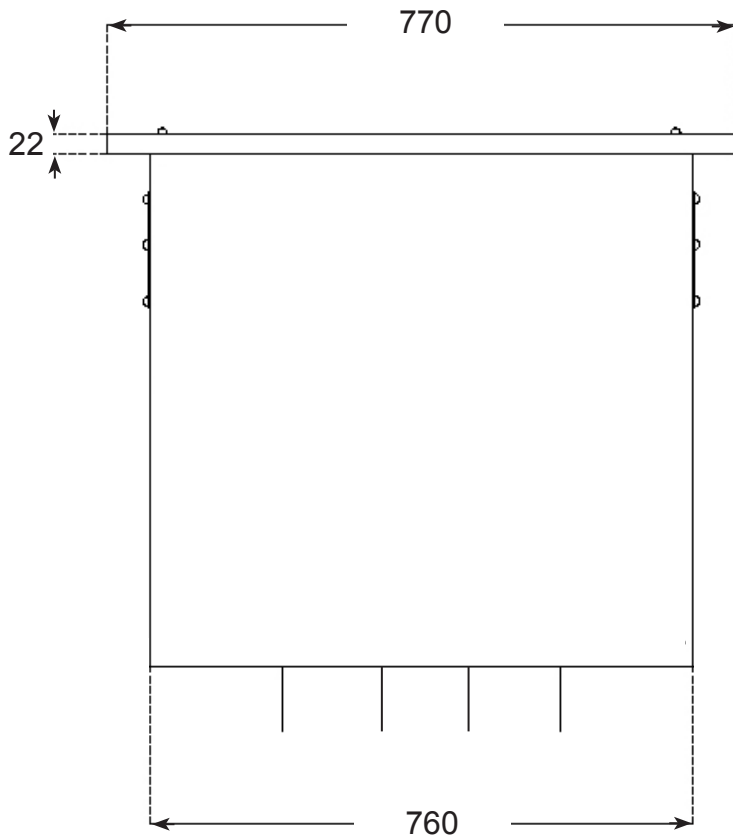




# LOUTH TRANSFORMER COMPANY LIMITED



## TK5 FLOOR CASE

SUITABLE FOR OUTDOOR  
MOUNTING

Floor Mounting TK5 Transformer Case

Dark Grey Pure Polyester Paint. RAL 7021  
Fully Seam Welded.  
IP65.

All Dimensions in Millimetres  
Max Internal Dimensions.

LENGTH = 440  
WIDTH = 710  
HEIGHT = 750

WEIGHT = 43kg (Case Only)

CASE PAINT PROCESS

- 1) Degrease.
- 2) Iron Phosphate Pre-Treatment.
- 3) Single Coat Pure Polyester Paint.

Laboratory Tested 600 Hours Hot Salt Spray.

METHOD

- 1) Chip an area of paint away 15mm in diameter.
- 2) Subject the area to 600 hours hot salt spray.
- 3) The area under test will of course rust, but there must be no creepage under the paint.

© 2014 Louth Transformer Company Limited. Reproduction in part or whole of this document without prior consent is prohibited.

LOUTH TRANSFORMER COMPANY LIMITED  
Belvoir Way, Fairfield Industrial Estate  
Louth, Lincolnshire, LN11 0LQ, ENGLAND

TEL: 01507 606436  
FAX: 01507 600168

Title	TK5 Case	Sheet
Date	13 NOV 2014	01
DRG. No.	TK5	