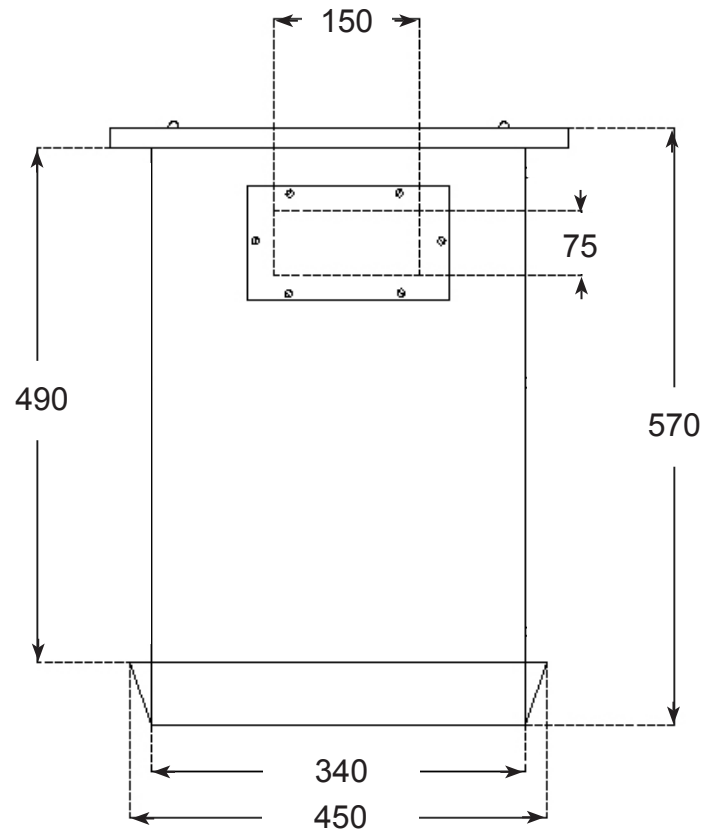
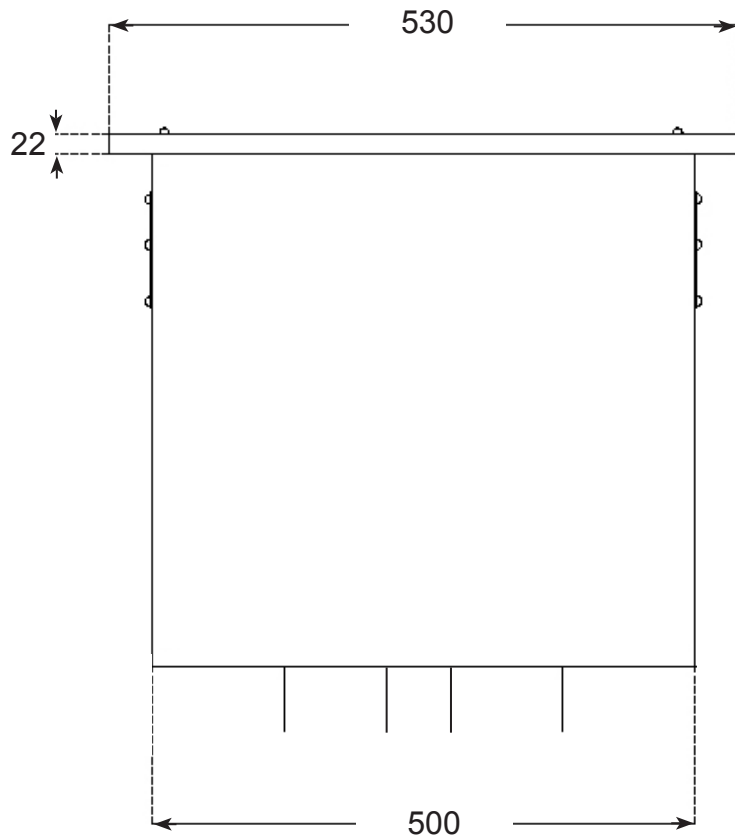




# LOUTH TRANSFORMER COMPANY LIMITED



## TK3 FLOOR CASE

SUITABLE FOR OUTDOOR  
MOUNTING

Floor Mounting TK3 Transformer Case

Dark Grey Pure Polyester Paint. RAL 7021  
Fully Seam welded.  
IP65.

All Dimensions in Millimetres  
Max Internal Dimensions.

LENGTH = 300  
WIDTH = 440  
HEIGHT = 490

WEIGHT = 23kg (Case Only)

CASE PAINT PROCESS

- 1) Degrease.
- 2) Iron Phosphate Pre-Treatment.
- 3) Single Coat Epoxy/Polyester Paint.

Laboratory Tested 600 Hours Hot Salt Spray.

METHOD

- 1) Chip an area of paint away 15mm in diameter.
- 2) Subject the area to 600 hours hot salt spray.
- 3) The area under test will of course rust, but there must be no creepage under the paint.

© 2014 Louth Transformer Company Limited. Reproduction in part or whole of this document without prior consent is prohibited.

LOUTH TRANSFORMER COMPANY LIMITED  
Belvoir Way, Fairfield Industrial Estate  
Louth, Lincolnshire, LN11 0LQ, ENGLAND

TEL: 01507 606436

FAX: 01507 600168

Title	TK3 Case	Sheet <b>01</b>
Date	13 NOV 2014	
DRG. No.	TK3	