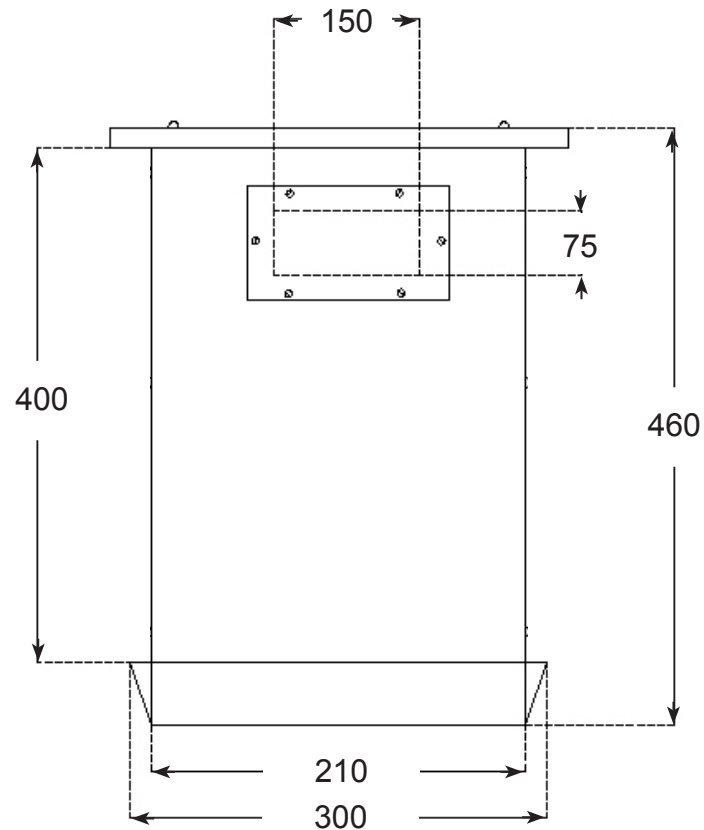
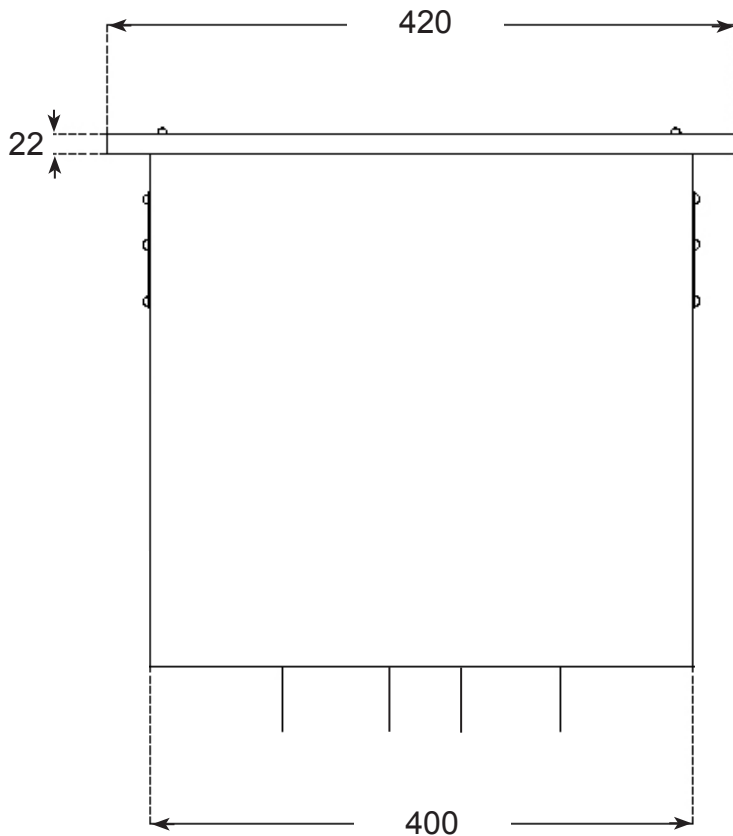




LOUTH TRANSFORMER COMPANY LIMITED



TK2 FLOOR CASE

SUITABLE FOR OUTDOOR
MOUNTING

Floor Mounting TK2 Transformer Case

Dark Grey Pure Polyester Paint. RAL 7021
Fully Seam Welded.
IP65.

All Dimensions in Millimetres
Max Internal Dimensions.

LENGTH = 160
WIDTH = 350
HEIGHT = 390

WEIGHT = 12.5kg (Case Only)

CASE PAINT PROCESS

- 1) Degrease.
- 2) Iron Phosphate Pre-Treatment.
- 3) Single Coat Pure Polyester Paint.

Laboratory Tested 600 Hours Hot Salt Spray.

METHOD

- 1) Chip an area of paint away 15mm in diameter.
- 2) Subject the area to 600 hours hot salt spray.
- 3) The area under test will of course rust, but there must be no creepage under the paint.

© 2014 Louth Transformer Company Limited. Reproduction in part or whole of this document without prior consent is prohibited.

LOUTH TRANSFORMER COMPANY LIMITED
Belvoir Way, Fairfield Industrial Estate
Louth, Lincolnshire, LN11 0LQ, ENGLAND

TEL: 01507 606436
FAX: 01507 600168

Title	TK2 Case	Sheet
Date	13 NOV 2014	01
DRG. No.	TK2	