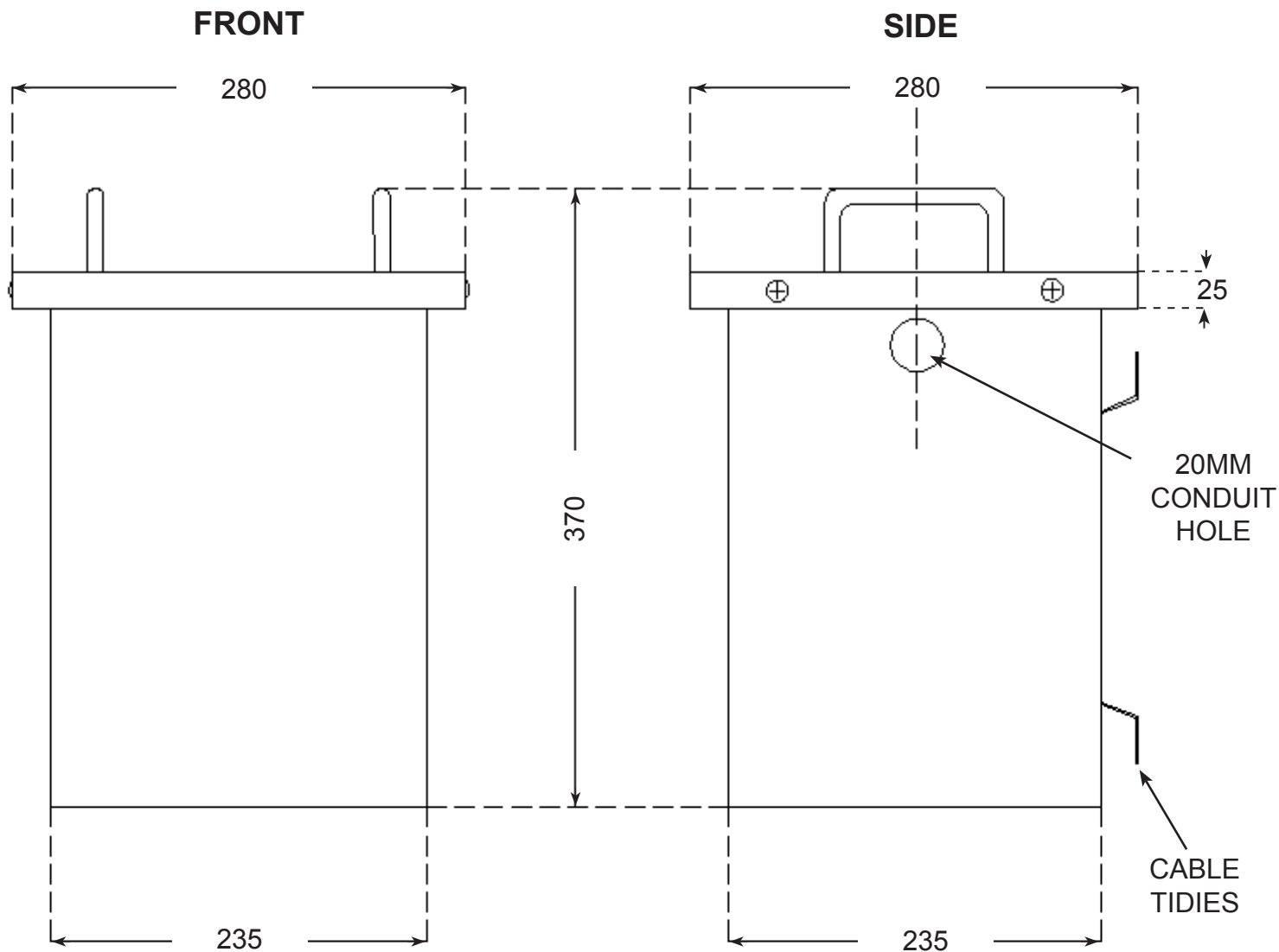




LOUTH TRANSFORMER COMPANY LIMITED



R2

PORTABLE CASE

SUITABLE FOR INDOOR OR
OUTDOOR MOUNTING

Portable R2 Transformer Case

Dark Grey Pure Polyester Paint. Ral 7021
IP65.
Fully Seam Welded.

All Dimensions in Millimetres.

Max Internal Dimensions.

LENGTH = 220

WIDTH = 220

HEIGHT = 260

WEIGHT = 6.7kg (Case Only)

CASE PAINT PROCESS

- 1) Degrease.
- 2) Iron Phosphate Pre-Treatment.
- 3) Single Coat 70 Micron Pure Polyester Paint.

Laboratory Tested 600 Hours Hot Salt Spray.

METHOD

- 1) Chip an area of paint away 15mm in diameter.
- 2) Subject the area to 600 hours hot salt spray.
- 3) The area under test will of course rust, but there must be no creepage under the paint.

© 2014 Louth Transformer Company Limited. Reproduction in part or whole of this document without prior consent is prohibited.

LOUTH TRANSFORMER COMPANY LIMITED
Belvoir Way, Fairfield Industrial Estate
Louth, Lincolnshire, LN11 0LQ, ENGLAND

TEL: 01507 606436

FAX: 01507 600168

Title	R2 Portable Case	Sheet
Date	27 OCT 2014	01
DRG. No.	R2	